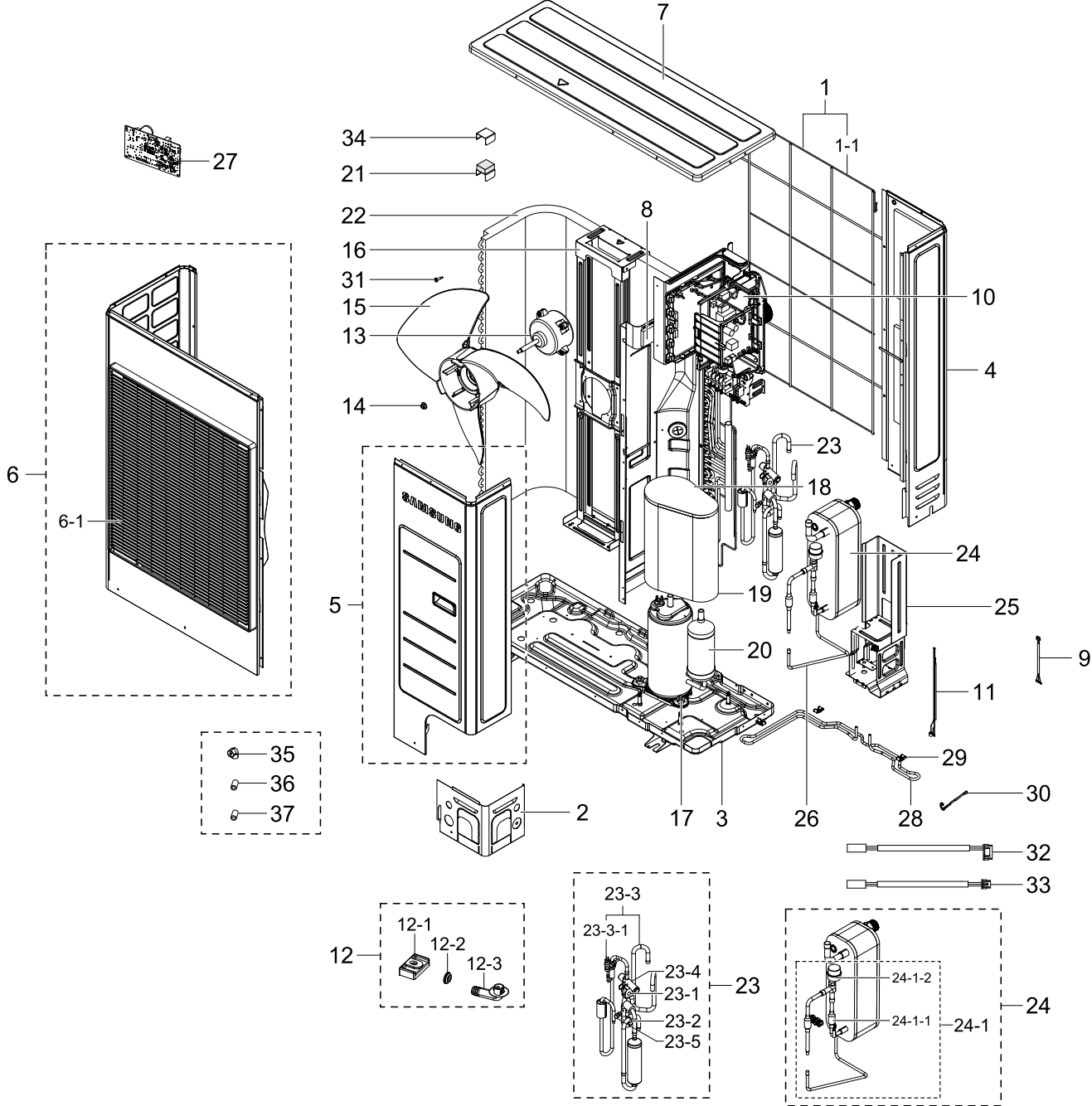


1. AE080RXYDGG/EU

AE080RXYDGG/EU

Exploded View



Parts List

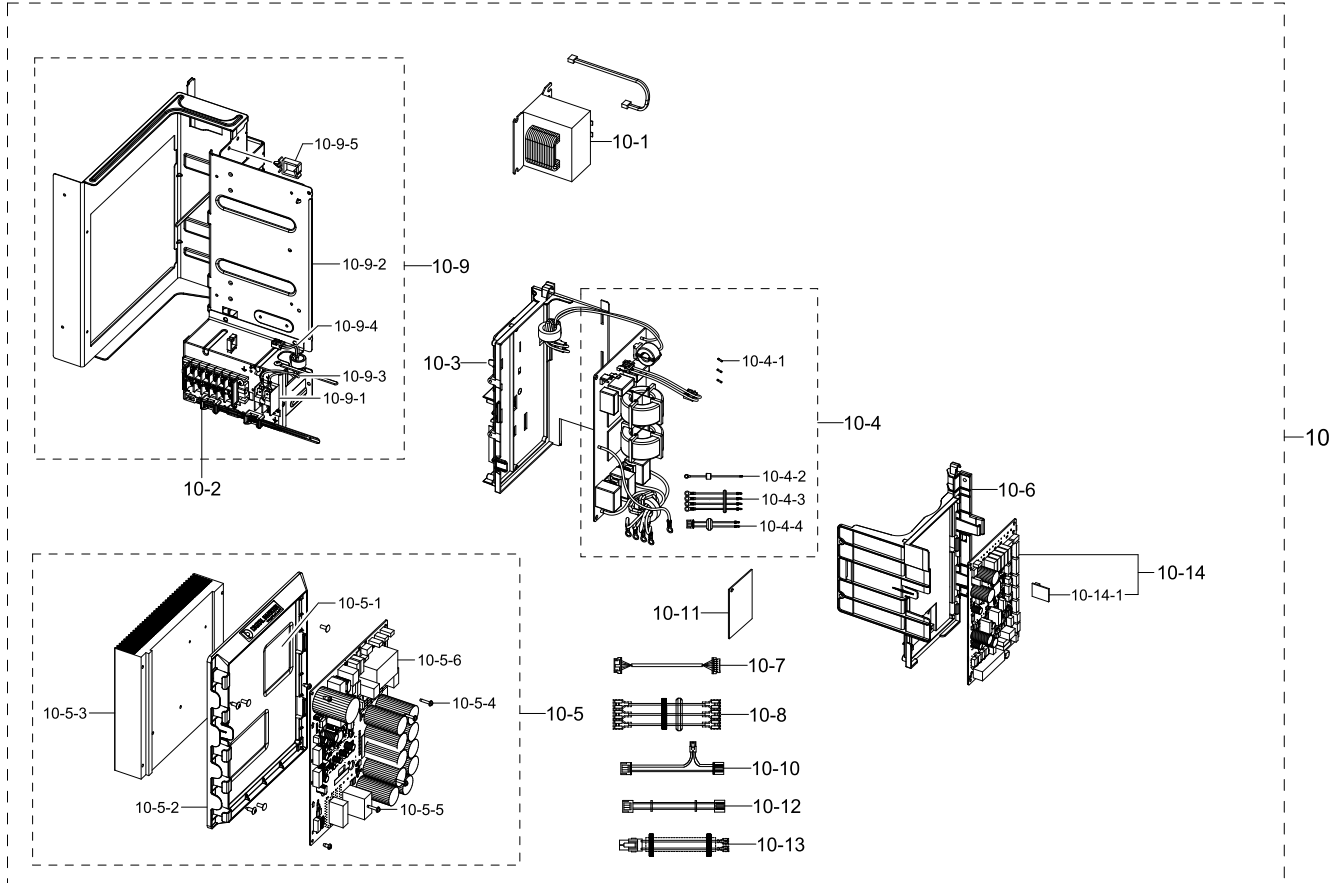
| No. | Lvl. | Loc. | Material Code | Description & Specification | SNA | Qty. |
|------|------|-------|----------------|-------------------------------------------|-----|------|
| 1 | 2 | | DB90-08318A | ASSY GUARD-COND; UB1 for EHS | SNA | 1 |
| 1-1 | 3 | G0131 | DB63-03126B | GUARD COND; RC090MHXEA,MSWR,EARTH BROWN | SA | 1 |
| 2 | 2 | | DB64-02526C | CABINET-INSTALL FRONT; RC100PHXEA,EGI-SEC | SA | 1 |
| 3 | 2 | A0110 | DB90-05873D | ASSY BASE-OUT; EHS MONO, CODE C | SNA | 1 |
| 4 | 2 | A2609 | DB90-07267B | ASSY CABI BACK-RH; RC090MHXEA,EHS MONO | SA | 1 |
| 5 | 2 | A2608 | DB90-05904E | ASSY CABI FRONT-RH; RC090MHXEA,EHS MONO | SA | 1 |
| 6 | 2 | A2620 | DB90-05971D | ASSY CABI FRONT-LF; AC120HCADKH/EU | SA | 1 |
| 6-1 | 3 | G0153 | DB63-02728C | GUARD FAN; UB CHASSIS,PP+TD20%,T2.5,EARTH | SA | 1 |
| 7 | 2 | A0212 | DB90-05902E | ASSY CABINET-TOP; RC090MHXEA,EHS MONO | SA | 1 |
| 8 | 2 | A1748 | DB94-03348B | ASSY PARTITION; AE090RXYDEG/EU,MONO UB1 | SA | 1 |
| 9 | 2 | A0630 | DB93-08235D | ASSY CONNECTOR WIRE-COMP; 3,3343,14,RED,H | SA | 1 |
| 10 | 2 | | DB92-05520A | ASSY PBA KIT-OUT MODULE; OUTDOOR,EHS_OTN, | SA | 1 |
| 11 | 2 | | DB95-04871D | ASSY THERMISTOR OUT-SUB OUT; SMH250-08L/W | SA | 1 |
| 12 | 2 | | DB97-05328D | ASSY PACKING CASE ACCESSORY; RC100PHXEA,G | SA | 1 |
| 12-1 | 3 | R0132 | DB73-20134A | RUBBER-LEG; V2-MD,NBR,T10,BLACK | SA | 4 |
| 12-2 | 3 | | DB63-10355C | SEAL DRAIN; -,CHLOROPRENE RUBBER,-,T2,W24 | SA | 3 |
| 12-3 | 3 | D0116 | DB67-00806A | DRAIN-PLUG OUT; UH140GAV,HDPE,NATURAL,-,S | SA | 1 |
| 13 | 2 | M0039 | DB31-00579A | MOTOR FAN; 125W,DC310V,CLASS E | SA | 1 |
| 14 | 2 | | DB60-00405A | FASTENER-WASHER; RC100ZH XEA,SWRCH10A,M8 | SA | 1 |
| 15 | 2 | | DB94-04381A | ASSY FAN PROPELLER; DVM S ECO,520 | SA | 1 |
| 16 | 2 | A2803 | DB90-05918A | ASSY BRACKET MOTOR; RC100DH XEA,R410A | SA | 1 |
| 17 | 2 | N0024 | DB60-30028A | NUT-FLANGE; HWH,M8,ZPC(WHT),SWRCH18A,P1.2 | SA | 6 |
| 18 | 2 | C0586 | DB63-02953A | FELT-COMP TOP IN; -,EVAR/FELT,T11.5,W153, | SA | 1 |
| 19 | 2 | C0583 | DB63-02954C | FELT-COMP SIDE; -,EVAR/FELT,T11.5,W295,L6 | SA | 1 |
| 20 | 2 | | UB8TN8265FJWSG | RCP,COMP,RCP,F,R32; RCP,COMP,RCP,F,R32 | | 1 |
| 21 | 2 | A1405 | DB90-02316E | ASSY HOLDER-PLATE COND; RC100PH XEA | SA | 2 |
| 22 | 2 | | DB96-16877A | ASSY COND-MODULE; RC090MH XEA,INV | SA | 1 |
| 23 | 2 | | DB96-21400B | ASSY TUBE 4WAY; AE090RXYDEG,R32, UB1 | SA | 1 |

| No. | Lvl. | Loc. | Material Code | Description & Specification | SNA | Qty. |
|--------|------|-------|---------------|----------------------------------------------|-----|------|
| 23-1 | 3 | S0247 | DB33-00002J | SOLENOID-COIL ASSY; 220V,2,YEL | SA | 1 |
| 23-2 | 3 | | DB67-01292A | WEIGHT RUBBER; ADX200VGHHA1,NR,BLK,OD 15. | SA | 1 |
| 23-3 | 3 | | DB96-24722A | ASSY SWITCH PRESSURE; EHS R32 | SA | 1 |
| 23-3-1 | 4 | S0208 | DB34-00090A | SWITCH PRESSURE; DC5mA,DC5V,4.8MPa,L2000, | SA | 1 |
| 23-4 | 3 | V0001 | DB62-02838B | VALVE 4WAY; BRASS,3.5HP, 4.6MPa,COMMON | SA | 1 |
| 23-5 | 3 | | DB98-23795B | VALVE CHARGING; BRASS,4.6MPa,R410A,6.35mm | SA | 2 |
| 24 | 3 | A2319 | DB96-21406B | ASSY TUBE COND; AE090RXYDEG,R32, UB1 | SA | 1 |
| 24-1 | 4 | | DB96-21403B | ASSY TUBE EEV; AE090RXYDEG,R32, UB1 | SA | 1 |
| 24-1-1 | 5 | T0128 | DB62-00541B | TUBE-FILTER; ABM-4500,C1220T-H,T1,OD19.05 | SA | 1 |
| 24-1-2 | 5 | | DB62-06172D | VALVE GEAR EXPAN; BRASS,4.6MPa,3.2mm,2000 | SA | 1 |
| 25 | 2 | | DB90-08961A | ASSY BRACKET-BODY; AE090JXYDEH/EU | SA | 1 |
| 26 | 2 | | DB96-21411A | ASSY TUBE EEV; AE090JXYDEH/EU | SA | 1 |
| 27 | 1 | | DB82-04395A | A/S ASSY-EEPROM; AE090RXYDGG,MONO | SA | 1 |
| 28 | 2 | A1301 | DB95-04647A | ASSY HEATER; EHS GEN3 Mono,230V 150W | SA | 1 |
| 29 | 2 | H0197 | DB61-05376A | HOLDER-HEATER; RC160MHXEA,STS316L,W15,L26 | SA | 4 |
| 30 | 2 | S0242 | DB81-00635A | SPRING ETC-SENSOR; DVM-SYSTEM,STS304,ID2. | SA | 3 |
| 31 | 2 | S0019 | DB60-00150A | SCREW-SPECIAL; HWH,M4,L26,ZPC(WHT),SWRCH1 | SA | 4 |
| 32 | 2 | | DB32-00215A | SENSOR TEMP;EVA_IN,800,10kohm,±1%,25°C,7p | SA | 1 |
| 33 | 3 | | DB32-00216A | SENSOR TEMP; WATER_INOUT,L700,10kohm,1%,2 | SA | 1 |
| 34 | 2 | H0121 | DB61-00533A | HOLDER-CLAMP COND; RVXMHF050GA,GI-SGCC,T0 | SA | 1 |
| 35 | 2 | | DB62-11213A | INSULATION-HOLDER SENSOR; RC090MHXEA,FOAM | SNA | 1 |
| 36 | 2 | | DB62-04154B | INSULATION-HOLDER WIRE; PP FOAM+PE FOAM,- | SNA | 1 |
| 37 | 2 | | DB62-03808C | INSULATION-HOLDER SENSOR; RVXFHT100GA,PP | SNA | 1 |

2. ASSY KIT

ASSY KIT

Exploded View



Parts List

| No. | Lvl. | Loc. | Material Code | Description & Specification | SNA | Qty. |
|--------|------|-------|---------------|----------------------------------------------|-----|------|
| 10 | 2 | | DB92-05520A | ASSY PBA KIT-OUT MODULE; OUTDOOR,EHS_OTN, | SA | 1 |
| 10-1 | 3 | | DB27-00100A | COIL HARMONIC; 5mH,86.0x94.5xTmm,20A,- | SA | 1 |
| 10-2 | 3 | T0174 | DB37-00035A | TERMINAL BLOCK; DATB S30A-6P-M,MELAMINE,6 | SA | 1 |
| 10-3 | 3 | | DB61-04502D | CASE-EMI; RC090MHXEA,HIPS,L0,NATURAL,VE-1 | SA | 1 |
| 10-4 | 3 | A0694 | DB92-03542A | ASSY PCB SUB; SUB,GLOBAL 4WAY,230X130,380 | SA | 1 |
| 10-4-1 | 4 | | 3601-001426 | FUSE-ETC; 500V,25A,SLOW-BLOW,FIBER,10.3x3 | SA | 3 |
| 10-4-2 | 4 | A0646 | DB93-05379F | ASSY CONNECTOR WIRE-EARTH; 1,1015,16,YEL/ | SA | 1 |

| No. | Lvl. | Loc. | Material Code | Description & Specification | SNA | Qty. |
|---------|------|-------|---------------|------------------------------------------------------------------------------------------|-----|------|
| 10-4-3 | 4 | | DB93-10811A | ASSY CONNECTOR WIRE-EMI TO TERMINAL POWE; ASSY CONNECTOR WIRE-EMI TO TERMINAL POWE | SA | 1 |
| 10-4-4 | 4 | A0664 | DB93-10871A | ASSY CONNECTOR WIRE-POWER; 2,1015,18,BRN, | SA | 1 |
| 10-5 | 3 | | DB92-04540A | ASSY KIT; PF#6,E1-PJT,INV Platform,Standa | SNA | 1 |
| 10-5-1 | 4 | G0032 | 0205-000178 | GREASE-SILICON; YG6111,WHITE, for assembl | SA | 0 |
| 10-5-2 | 4 | C0170 | DB61-06473A | CASE PCB; AC145JX4PHH1,ABS,-,L269.4,NATUR | SA | 1 |
| 10-5-3 | 4 | H0034 | DB62-12095A | HEAT SINK; NEW PLATFORM #6,Al,T15.58,W200 | SA | 1 |
| 10-5-4 | 4 | A2876 | DB91-00306A | SCREW-MACHINE; SWRCH18A,ZPC(WHT),L16,M3,P | SA | 2 |
| 10-5-5 | 4 | A2876 | DB91-00307A | SCREW-MACHINE; SWRCH18A,ZPC(WHT),L16,M4,P | SA | 2 |
| 10-5-6 | 4 | | DB92-04537A | ASSY PCB INVERTER; INVERTER,E1-PJT,242X19 | SA | 1 |
| 10-6 | 3 | C0396 | DB61-05743A | CASE-PCB; AM053FXMDCH/AA,HIPS,T2,L243.3,N | SA | 1 |
| 10-7 | 3 | A2934 | DB93-04273B | ASSY CONNECTOR WIRE-COMM; 6,2095,26,BLU,S | SA | 1 |
| 10-8 | 3 | | DB93-10864B | ASSY CONNECTOR WIRE-POWER RST; 3,1015,14, | SA | 1 |
| 10-9 | 3 | | DB90-12261D | ASSY PLATE-CONTROL; EHS,PF6 | SA | 1 |
| 10-9-1 | 4 | T0174 | DB65-00274A | TERMINAL BLOCK; TERMINAL BLOCK,Polycarbon | SA | 1 |
| 10-9-2 | 4 | | DB90-05889B | ASSY CASE CONTROL; RC090MHXEA,EHS MONO | SNA | 1 |
| 10-9-3 | 4 | A0646 | DB93-17350A | ASSY CONNECTOR WIRE-EARTH; 1,1015,18,YEL/ | SA | 1 |
| 10-9-4 | 4 | A2934 | DB93-10808J | ASSY CONNECTOR WIRE-COMM; 2,1015,22,RED,Y | SA | 1 |
| 10-9-5 | 4 | W0083 | DB71-50021A | WIRE-SADDLE; DAWS-2N(R),PA,NTR | SA | 2 |
| 10-10 | 3 | A0664 | DB93-12364A | ASSY CONNECTOR WIRE-POWER; 3,1015,18,BRN, | SA | 1 |
| 10-11 | 3 | | DB93-13218A | ASSY PCB SUB-HEATER; SUB,EHS_GEN3,42*60,2 | SA | 1 |
| 10-12 | 3 | A2954 | DB93-13262A | ASSY CONNECTOR WIRE-HEATER; 2,1015,18,BRN | SA | 1 |
| 10-13 | 3 | A2610 | DB93-11241A | ASSY CONNECTOR WIRE-REACTOR; 2,1015,12,WH | SC | 1 |
| 10-14 | 3 | A0743 | DB92-05343C | ASSY PCB MAIN-OUT; OUTDOOR,EHS,192*121,22 | SA | 1 |
| 10-14-1 | 4 | | DB93-12483A | ASSY PCB SUB-EEPROM; SUB,DVMPLUS4 UP,20*2 | SA | 1 |